

Model **MARCEL**



Technical Information

Frame _____
 Top _____ Standard walnut
 Top choices _____ See colour chart
 Leather options _____
 Legs _____ Nordik Legs
 Legs options _____ Nube, Natural, Walnut, Wenge and Black
 Comments: _____ * Would you like to learn more?
 Check the FAQs section in our website

Top colours

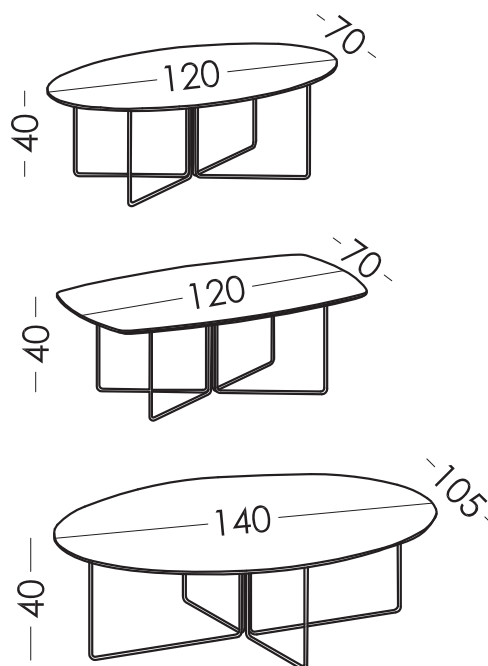


Guaranty

2 years*

*6-month guaranty extension by activating it on the web

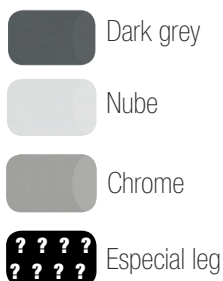
Scheme



Packaging

Plastic packaging with protective corner guards.

Legs options



Marcel Tables are manufactured by Fama Sofas, whose quality system is certified by AENOR and IQNET, according to ISO 9001-2008, with certificate number ER 0790/1999.

All models have passed the tests required for granting the quality control label from Aidima-Cetem laboratories.



Enjoy the new design
made in
Spain

fama